

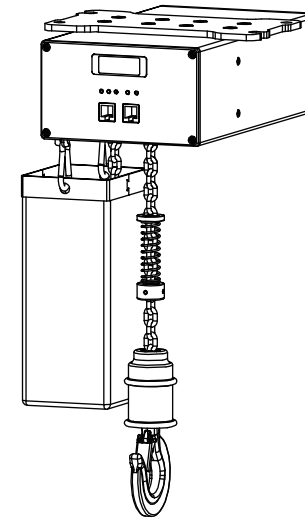
# Grandview®

## Electric Chain Hoist with Numerical Control User Manual

---

Model:GCRT-1012

# Grandview®



Guangzhou Grandview Creative Technology Co., Ltd  
Add: No.1 Building of No.43 South International Trade Avenue,  
Hualong Town, Panyu District, Guangzhou China.  
Tel: +8620-8489-9499 Fax: +8620-8480-5299  
Http://www.grandviewscreen.com



Thank you for purchasing this product. Please read instructions carefully before using. After installation, store instructions for future reference.






Grandview®

## Precautions

- The installation position should have sufficient mechanical strength. The load-bearing requirement is 4 times the weight of the lifting point and the weight of the stage equipment to prevent the equipment from falling off.
- When installing the device, make sure that each screw is tightened to prevent the device from loosening and affecting the safety of use.
- Please pay attention to the protection and maintenance of the lifting points, check regularly:
  - If there are stains, please wipe with a soft cloth.
  - When removing dust, wipe it gently with a soft brush.
  - Regularly check the screws for signs of looseness.
  - Chains are worn out goods Need regular and appropriate maintenance with anti-rust oil.
- In order to avoid unnecessary injury, it is recommended that the management and installation of the equipment be operated and maintained by professionals.
- Do not pull the device by hand during use to avoid damage to the device.
- Do not install the product in a location that is wet or likely to splash.
- Only connect the power plug with the grounding wire. If the accessory is damaged, please contact the supplier or the after-sales personnel.
- Please use the approved power cord (3-core power cord) / device interface / plug, the grounding plug should be It complies with the applicable safety regulations of the country.
- When installing the rigging point, configure an easy-to-use power-off device in the fixed wiring, or connect the power plug to an electrical outlet that must be close to the device and easy to use. If a malfunction occurs while operating the device, you can turn off the power to the power-off device to disconnect the device or disconnect the power plug.
- Keep away from heat or moisture.
- As long as the plug of the rigging point is also connected to the power supply, the unit is not disconnected from the AC power supply.
- Unplug the power cord when you are experiencing lightning or thunderstorms or when not in use for a long time.
- During operation, do not stand on the lifted object or leave heavy objects suspended in mid-air.
- Do not hook the Load-Bearing Hook back onto the lifting chain or wire rope when lifting heavy objects.
- During operation, ensure that the Load-Bearing Hook is on the vertical line of the center of gravity of the heavy object to prevent tilting or flipping.  
It is strictly prohibited for anyone to walk or stay under the heavy object during operation.

### Warning:

It is forbidden to stand under the equipment during the lifting process, beware of accidents. If the screw is found to be loose, please contact the after-sales personnel or the user to replace the screw. If the user ignores the warning, the user should solve the problem. This instruction manual is subject to change without prior notice. Please contact your sales representative.

 <p><b>Caution</b></p> <p>The user must periodically check if the device screws are loose.</p>	 <p><b>Force</b></p> <p>When using, you must have professional personnel to operate on site. Beware of emergency stoppage when equipment is faulty.</p>
 <p><b>Pay Attention to Children's Touch</b></p> <p>After the rigging point is completely lowered, the bottom of the rigging point should be no less than 1.8 meters from the ground to prevent children from touching.</p>	 <p><b>Disassemble Prohibited</b></p> <p>Do not disassemble the rigging points or loosen the rigging point screws. If repairing or correcting, please contact our company or sales agent.</p>
 <p><b>Warning</b></p> <p>When two devices or more are used at the same time, the sum of the weights of the two devices must not exceed</p>	

Note: Users are not allowed to disassemble and replace parts at will. If there is any fault, Must contact the after-sales service department for repair; the functional structure is subject to change without prior notice. Subject to the product!

## RS - 485 协议

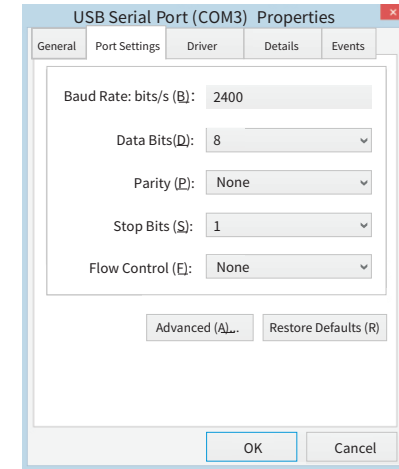
### RS485 port settings:

Baud rate: 2400;  
Data bits: 8 bits;  
Parity: None;  
Stop bits: 1

Hexadecimal control codes:

Up: FF EE EE EE DD  
Stop: FF EE EE EE CC  
Down: FF EE EE EE EE

Some central controls need to enter the central control learning state first. For example, FF --- -- AA enters, where --- -- can be any English letter or number. For example, if you input FF 11 11 11 AA, then the rising code is: FF 11 11 11 DD, and the other codes are deduced similarly.



### Note:

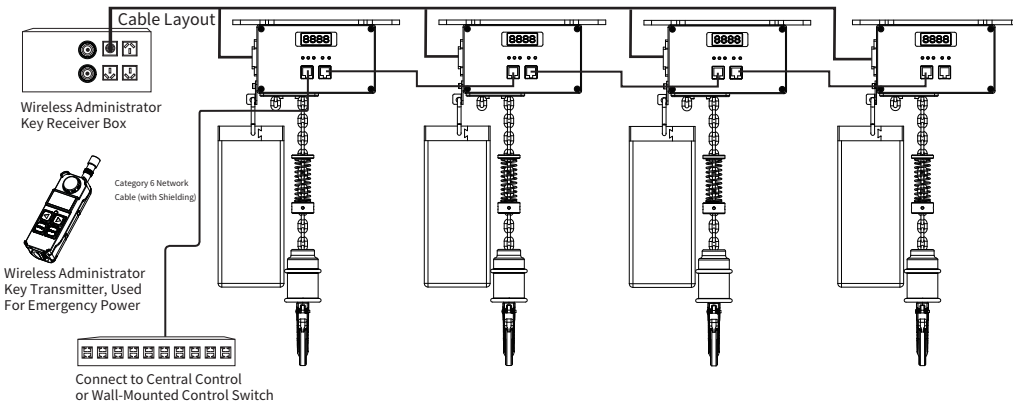
- When connecting to RS485, if you're unable to control the device for related actions, try swapping the two control lines.
- Ensure that the wiring loop resistance is below 20Ω.
- Avoid running the wiring parallel to sources of strong interference.

## Troubleshooting Detection

Troubleshooting detection	
Defects	Solution
Temporarily stop and tip during multiple lifter applied	Reset
Temporarily stop during lifting, 485 transmitting interference	Restart power
Starting with delay or stop	Send 2 code in the same time
System error	Restart power
Hoist could not be lowered; abnormal sound	Might be the mis-trigger of anti-dropping device, press stop and up to see if the hoist recover
Hoist retract with chain stuck	Check if there is damage at the lining hole and polish it with file gently
During the downward running of the equipment, if you find the stop situation	Please check whether the chain is knotted. If so, please straighten out the chain.

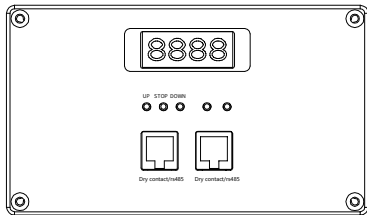
## Multiple Device Wiring

Multiple rigging points combined emergency braking and multiple control diagram.



When multiple devices are used together, they can be connected to the matching receiver and used with the wireless administrator key. As shown in the figure, the first device is connected to the receiver, and the other port of the receiver is connected to the central control host. The other devices can be connected to each other; all device power cables must also be powered from the receiver. (Internal wiring is only for supplying current to three hoisting points and one retraction device.)

## Control Panel Wiring



### Controls:

Up: Retract Stop: Stop Down: Extend

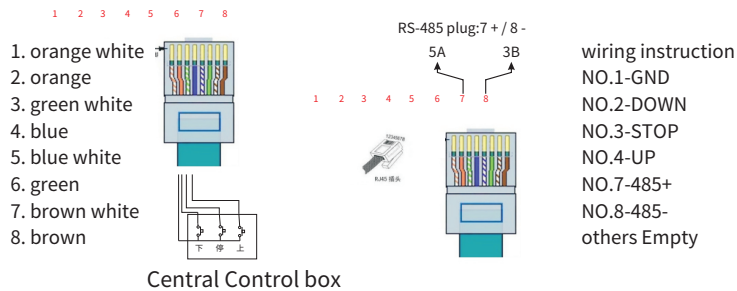
### Control Port:

1. Dry contact: Pin 1 - GND, Pin 2 - Extend, Pin 3 - Stop, Pin 4 - Retract

2. RS-485: Pin 7 - 485+, Pin 8 - 485-

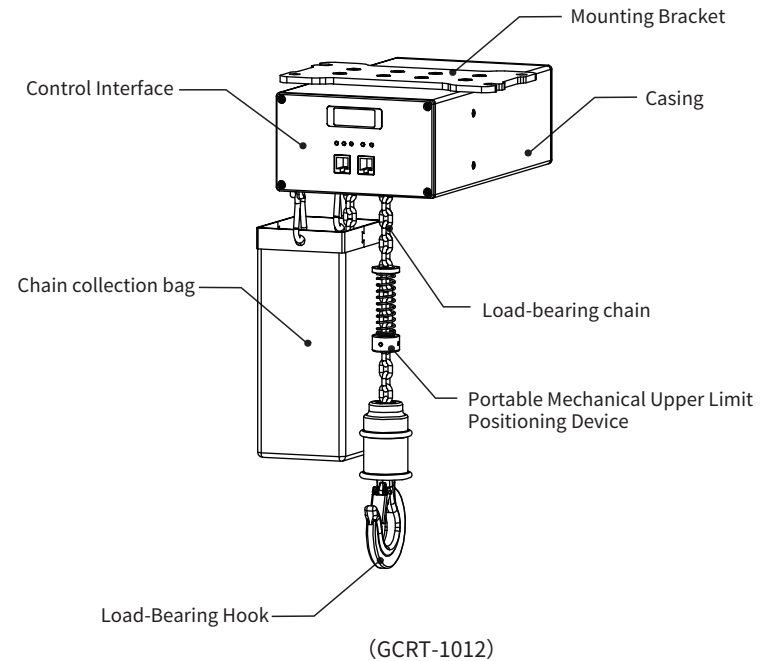
Note: Both control ports are parallel ports.

Wiring diagram for dry contact/RS485 interlocking: Professional installation is recommended. For further help with installation or any questions, please contact the manufacturer or technical support personnel.



Central Control box

## Diagram



(GCRT-1012)

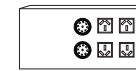
## Standard Accessories

- 6 Inches Cushion x1
- Chain Recovery Bag x1
- Power Cord x1
- Manual x1



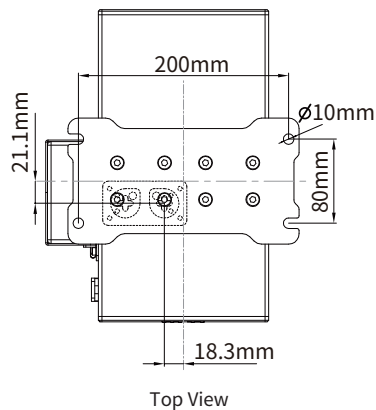
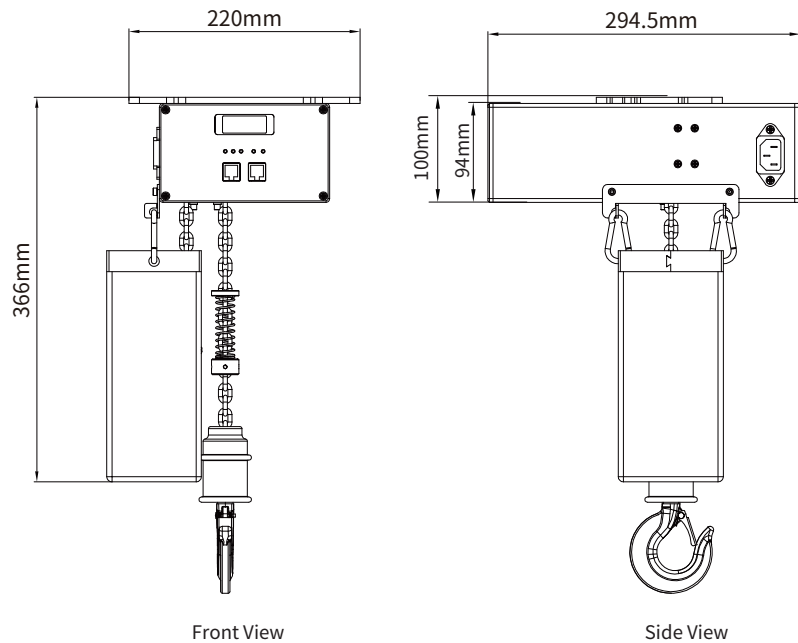
## Optional Accessories

- Wall Switch
- Wireless Administrator Controller
- Receiver (Match with Wireless Administrator Controller)



## Specification

### GCRT-1012 Hoist Appearance Diagram:



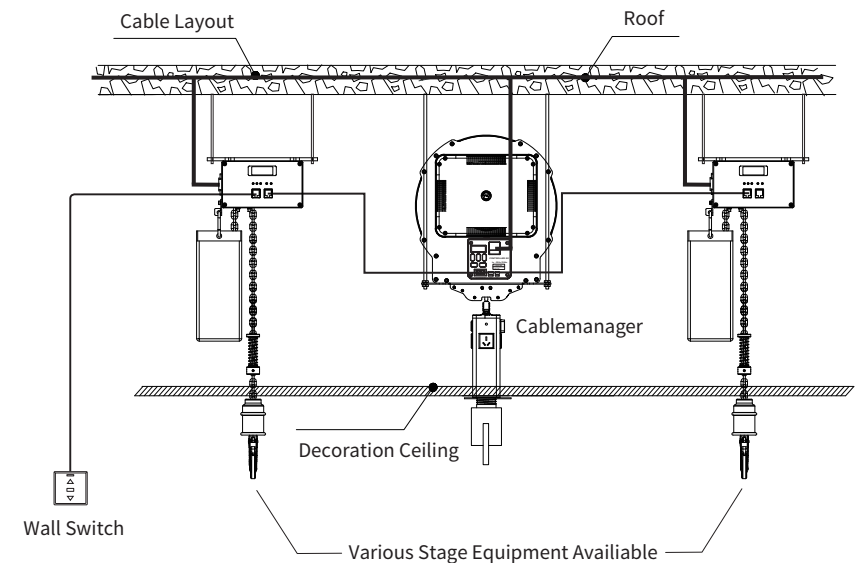
#### Specifications

Product: Electric Chain Hoist with Numerical Control  
 Model:GCRT-1012  
 Size: W294.5x D220xH366mm  
 Installation Bolt Hole Size: W200xD80mm  
 Ceiling open size:  $\phi 175$ mm  
 Loading capacity: 100Kg  
 Max dropping distance: 12 Meter  
 Input Voltage: AC220V/50Hz  
 Power rating: 45W  
 Control: RS-485/Dry Contact/Wall Switch

## Installation Instruction

This product should be installed in the best projection position, it would be more convenient and more safe when the product being installed correctly, firstly, open the package and check if there is any missing parts, then take out all the parts and start the installation as per the instructions below, to make sure the product operates more safe and more convenient, pls read through the whole instruction carefully and choose the appropriate installation way based on the actual installation environment.

- \* Power for hoist is 45W, for cable manager is 60W, pls notice this when connecting the cables.
- \* Installation can be arranged in the end of decoration, the decorative light circle of the bag can well cover the hole of smallpox, keep the appearance clean, and do not need a second decoration after installation.
- \* After use, loosen the adjustable mechanical upper limit block screw to the minimum before recycling the chain.



(Ceiling-concealed electric hoist series installation diagram. Please note that the wire retraction device is not a load-bearing product.)

#### Notice:

- 1.End user can choose any port to connect the wall switch or central control.
- 2.Hangers must keep straight.
- 3.When returning the chain, please make sure all the stage equipments have been disassembled to avoid it hit the ceiling.