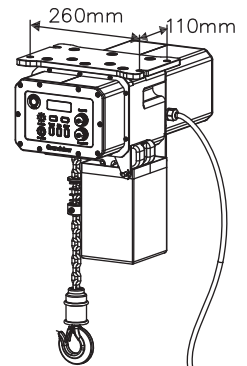
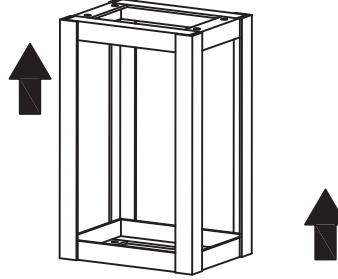
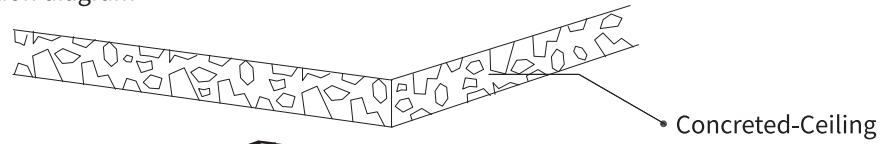
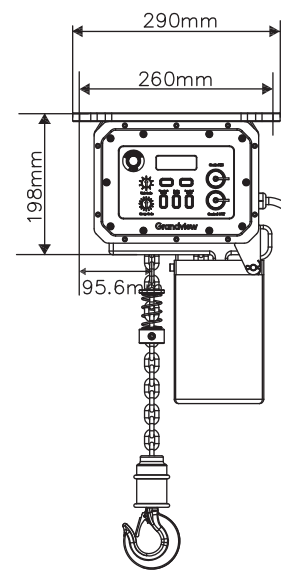


Installation diagram

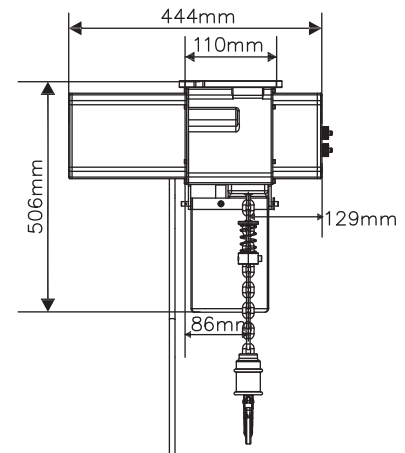


Opening hole on the ceiling,
hole dimensions: $\varnothing 175\text{mm}$

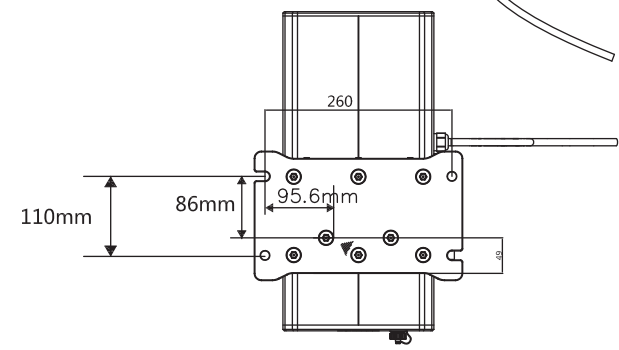
Grille-Ceiling



Front View



Side View



Top View

- Specifications**
- Product: Electric Chain Hoist with Numerical Control
 - Model: GCRT-2512
 - Size: W444x D290 xH506mm
 - Installation Bolt Hole Size: 260mm x110mm
 - Ceiling open size: $\varnothing 175\text{mm}$
 - Loading capacity: 250 Kg
 - Max dropping distance: 12000mm
 - Input Voltage: AC 220V/50Hz
 - Power rating: 300W
 - Control: RS-485/Dry Contact/Wall Switch