

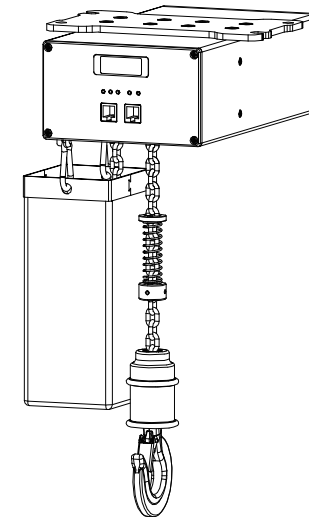
Troubleshooting

Troubleshooting and Solutions	
Troubleshooting:	Solution
Multiple hoists stop operating simultaneously and tilt midway	Reset
Sudden stop during operation, 485 transmission interference	Restart
Lag or delay during startup	Send the code twice simultaneously
Program corruption	Restart
Chain stuttering during retraction	Check the output port for any damage. If there is any wear and tear, use a file to gently remove it.
Sudden stops during extension	Straighten chain if it is tangled

Grandview

Electrical Chain-type Constant Speed Commercial Rigging System Instruction Manual

Model:GCRT-1012








Precautions:

- The installation location must be strong enough to bear four times the weight of the lifting hoist and stage equipment to prevent equipment from falling.
 - Ensure that every screw is tightened during installation to prevent equipment from loosening and affecting safety.
 - Regularly check and maintain the rigging hoist by:
 - Using a soft cloth to wipe off stains
 - Using a soft brush to remove dust
 - Checking for signs of loose screws
 - The chain requires periodic maintenance with rust-proof oil.
 - Professionals should manage, install, use, and maintain the equipment to avoid unnecessary injuries.
 - Do not pull the equipment by hand during operation to avoid damaging it.
 - Do not install the product in damp or splash-prone locations.
 - Only connect power plugs with an earthing wire and promptly contact the supplier or after-sales personnel if accessories are found to be damaged.
 - Use approved power cords (3-core power cords)/equipment interfaces/plugs and ensure that the grounding plug complies with applicable national safety regulations.
 - Install an easy-to-use power-off device in the fixed wiring or connect the power plug to an electrical socket near the device for equipment failure during operation.
 - Keep away from heat sources or damp locations.
 - As long as the plug is connected to the power supply, the device is still powered by AC.
 - Unplug the power cord during lightning/thunderstorms or when not in use for a long time.
 - During operation, do not stand on the lifted object or leave heavy objects suspended in mid-air.
 - Do not hook the Load-Bearing Hook back onto the lifting chain or wire rope when lifting heavy objects.
 - During operation, ensure that the Load-Bearing Hook is on the vertical line of the center of gravity of the heavy object to prevent tilting or flipping.
- It is strictly prohibited for anyone to walk or stay under the heavy object during operation.

Warning:

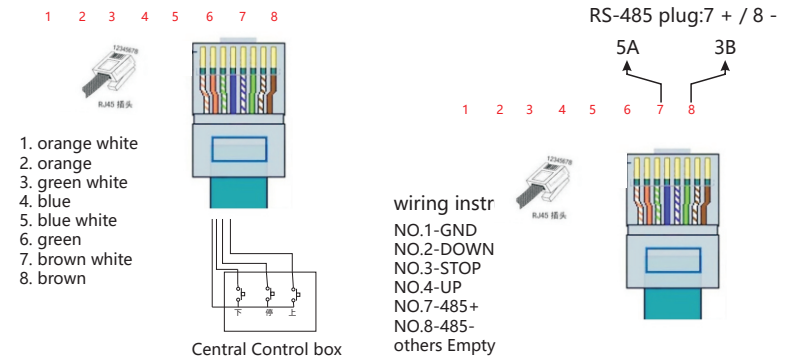
Do not stand under the equipment during operation to avoid accidents. If screws are loose, contact representatives or replace them yourself. Users are responsible for addressing safety issues resulting from ignoring this warning. This manual may be updated without notice. Contact your sales representative for any changes.

 <p>Warning</p> <p>Regularly inspect the device for any loose screws.</p>	 <p>Mandatory</p> <p>Always have a professional operator on-site to handle emergency stops in case of equipment failure.</p>
 <p>Be cautious of children</p> <p>Ensure the bottom of the fully extended chain is at least 1.8 meters above the ground to prevent children from touching it.</p>	 <p>No dismantling</p> <p>Do not disassemble or loosen screws. For repairs or calibration, contact our company or a sales representative.</p>
 <p>Warning</p> <p>When using multiple hoists, avoid exceeding the rated load of a single hoist during operation.</p>	

Refer to GB6067.1-2010 for safety usage standards.

Do not disassemble or loosen screws. For repairs or calibration, contact our company or a sales representative.

Wiring diagram for dry contact/RS485 interlocking: Professional installation is recommended. For further help with installation or any questions, please contact the manufacturer or technical support personnel.



RS-485 Protocol

RS485 port settings:

Baud rate: 2400;
Data bits: 8 bits;
Parity: None;
Stop bits: 1

Hexadecimal control codes:

Retract: FF EE EE EE DD

Stop: FF EE EE EE CC

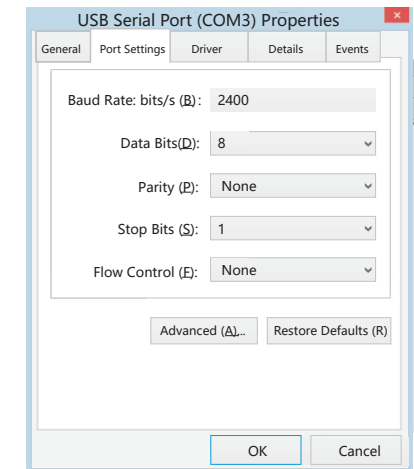
Extend: FF EE EE EE EE

Some central controls need to enter the central control learning state first.

For example, FF -- -- -- AA enters, where -- -- -- -- can be any English letter or number. For example, if you input FF 11 11 11 AA, then the rising code is: FF 11 11 11 DD, and the other codes are deduced similarly.

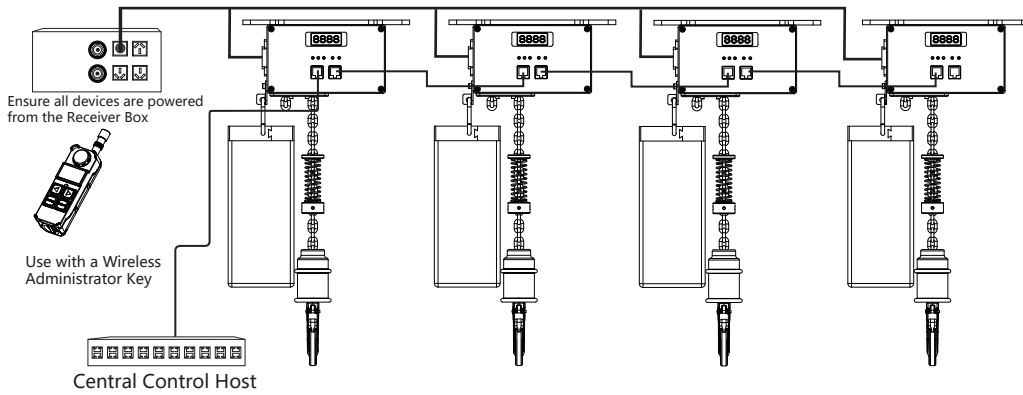
Note:

- When connecting to RS485, if you're unable to control the device for related actions, try swapping the two control lines.
- Ensure that the wiring loop resistance is below 20Ω .
- Avoid running the wiring parallel to sources of strong interference.



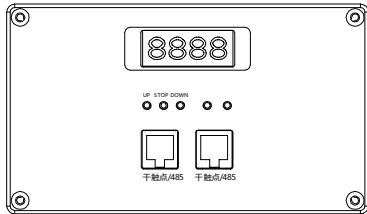
Connecting Multiple Devices

Emergency braking and various control diagrams for combined devices



When using multiple devices together, connect a compatible receiver and use with a Wireless Administrator Key. As shown in the diagram, connect the first device to the receiver and the other end of the receiver to the Central Control Host. Connect the remaining devices to each other. Power all devices from the receiver. (Built-in wiring is for four suspension points and one wire collector.)

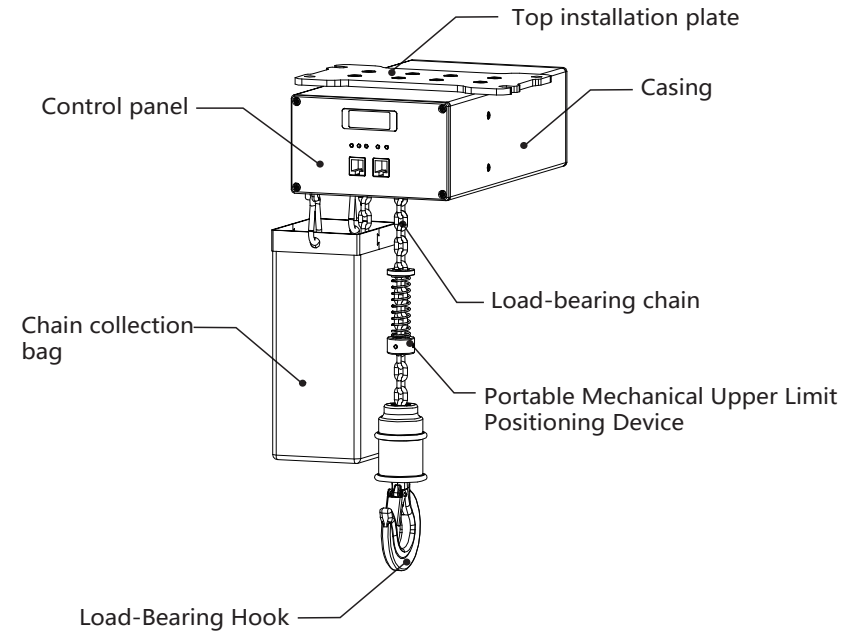
Control Panel Wiring



Controls:
Up: Retract Stop: Stop Down: Extend

Control Port:
1. Dry contact: Pin 1 - GND, Pin 2 - Extend, Pin 3 - Stop, Pin 4 - Retract
2. RS-485: Pin 7 - 485+, Pin 8 - 485-
Note: Both control ports are parallel ports.

Product Structure



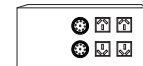
(GCRT-1012)

Standard Accessories:

- 6-inch Light Ring x1 ■ Chain Collection Bag x1 ■ Certificate of Conformity x1
- Power Cord x1 ■ Instruction Manual x1

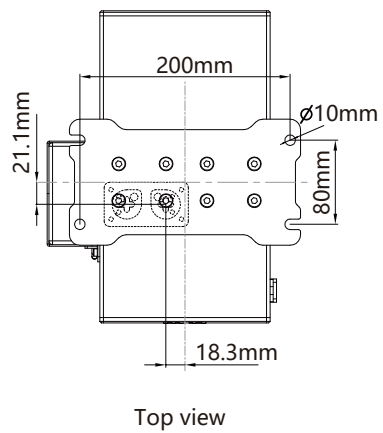
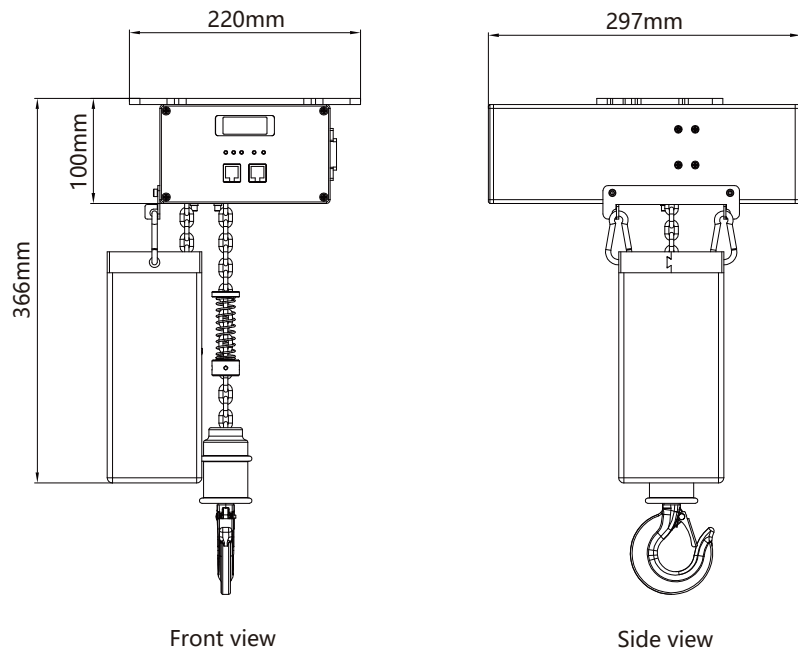
Optional Accessories:

- Wall Switch ■ Wireless Administrator Key x1 ■ Receiver Box 1/group



Specifications

GCRT-1012 Hoist Appearance Diagram:



GCRT-1012 Detailed Parameters:

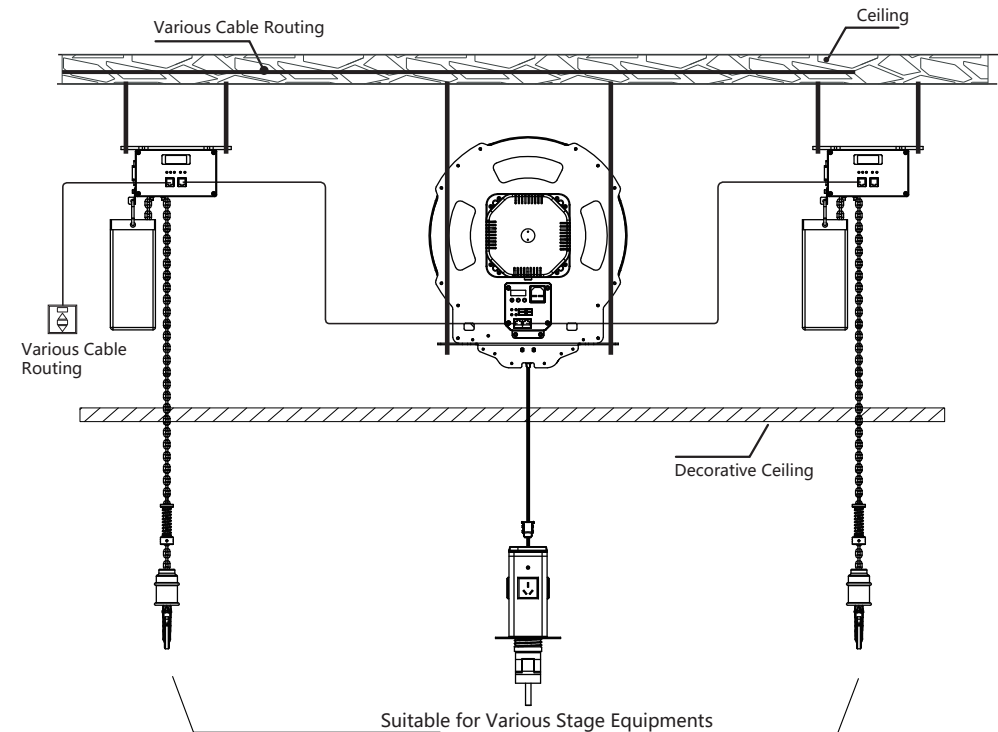
Product Name:
 Product Model: GCRT-1012
 Product Size: W297xD220xH366mm
 Required Space for Installation: W200xD80mm
 Ceiling Opening Size: $\phi 175\text{mm}$
 Maximum Load Capacity: 100kg
 Maximum Travel: 12000mm
 Input Voltage: AC 220V/50Hz
 Rated Power: 45W
 Control Method: RS-485, Dry Contact

Installation Guide

Installation Method Explanation

To ensure greater convenience and safety during use, install this product in the optimal projection position. Begin by opening the packaging box and checking that all parts are included. Next, take the parts to an appropriate location and follow the installation procedures outlined in this manual. For a safer and more convenient experience with the product, carefully read the installation section of this manual and select the most suitable installation method based on your specific site conditions.

- * The power of hoist is 45W, and the wire collector power is 60W; please pay attention to the power when wiring.
- * Installation can be arranged after the completion of decoration. The included decorative light ring can effectively cover the ceiling opening, maintaining a neat appearance without the need for secondary decoration.



(Installation diagram; GSPC 12 is not a load-bearing product.)

* Note:

1. Users can choose any port to connect to the wall control switch or central control terminal.
2. The Load-Bearing Hook must be kept vertical.
3. Ensure all stage equipment, including trusses, is dismantled before retracting the chain to prevent accidents from occurring due to contact with the ceiling.